

GHP1A2

Parti accessorie a corredo della pompa standard: linguetta (codice 522067).
 Monta flangia 82-2 (A) secondo norma SAE J744c.

Le porte standard "D" e "d" sono lavorate secondo la specifica SAE J1926/1 (ISO 11926-1) relativa a porte filettate con tenuta O-ring.

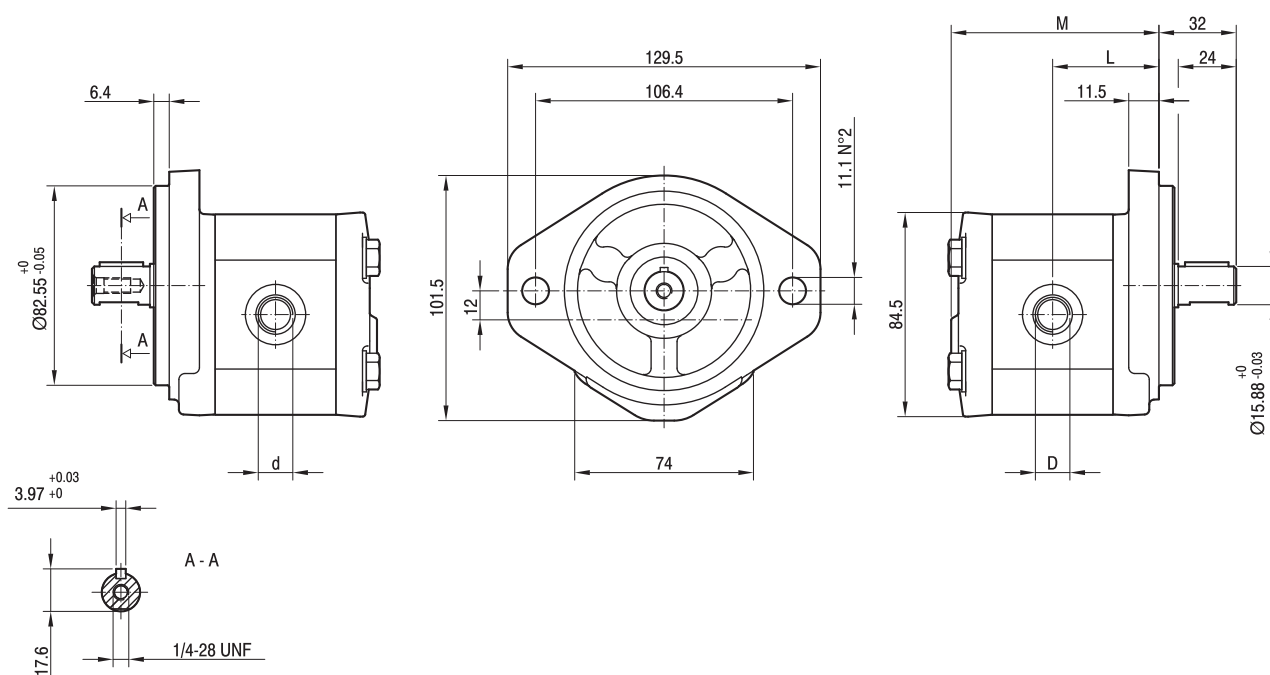
Accessories supplied with the standard pump: key (code 522067).

Mounting flange 82-2 (A) in compliance with SAE J744c.

"D" and "d" standard ports are machined in compliance with threaded port with O-ring seal in truncated housing SAE J1926/1 (ISO 11926-1).

MANDATA
 OUTLET

ASPIRAZIONE
 INLET



TIPO TYPE	CILINDRATA DISPLACEMENT	PORTATA a 1500 giri/min FLOW at 1500 rev/min	PRESSIONI MASSIME MAX PRESSURE			VELOCITÀ MASSIMA MAX SPEED	DIMENSIONI DIMENSIONS			
			P ₁	P ₂	P ₃		L	M	d	D
	cm ³ /giro [cm ³ /rev]	litri/min [litres/min]	bar	bar	bar	giri/min [rpm]	mm	mm		
GHP1A2-D-2	1,4	2,0	250	270	290	6000	41	80	9/16-18 UNF	3/4-16 UNF
GHP1A2-D-3	2,1	2,9	250	270	290	6000	42	82	9/16-18 UNF	3/4-16 UNF
GHP1A2-D-4	2,8	3,9	250	270	290	5000	43	84	9/16-18 UNF	3/4-16 UNF
GHP1A2-D-5	3,5	4,9	250	270	290	5000	44	86	9/16-18 UNF	3/4-16 UNF
GHP1A2-D-6	4,1	5,9	250	270	290	4000	45	88	9/16-18 UNF	3/4-16 UNF
GHP1A2-D-7	5,2	7,4	230	245	260	3500	46,5	91	9/16-18 UNF	3/4-16 UNF
GHP1A2-D-9	6,2	8,8	230	245	260	3000	48	94	9/16-18 UNF	3/4-16 UNF
GHP1A2-D-11	7,6	10,8	200	215	230	3500	50	98	3/4-16 UNF	7/8-14 UNF
GHP1A2-D-13	9,3	13,3	180	195	210	3000	52,5	103	3/4-16 UNF	7/8-14 UNF
GHP1A2-D-16	11,0	15,7	170	185	200	2500	55	108	3/4-16 UNF	7/8-14 UNF
GHP1A2-D-20	13,8	19,7	150	165	180	2000	59	116	3/4-16 UNF	7/8-14 UNF